

BOMBAY INSTRUMENT MFG. CO.

AN ISO 9001:2015 CERTIFIED COMPANY

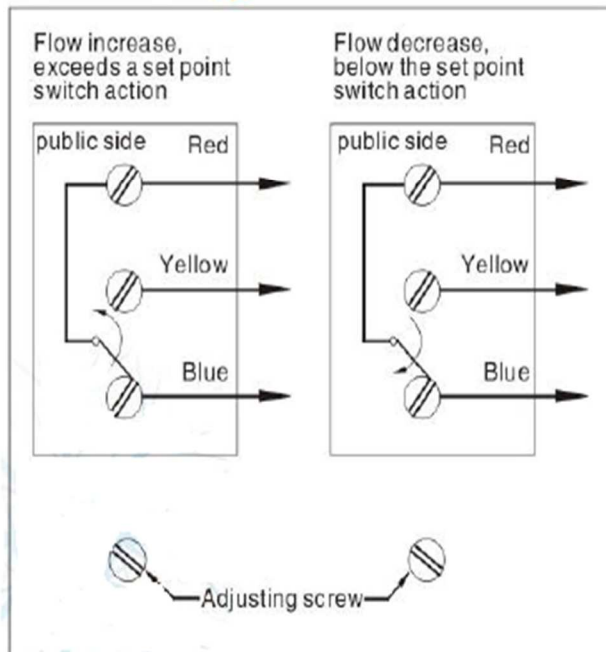
FLOW SWITCH SS304**MODEL NO: BIMCO-61MBS****FLOW SWITCHES**

MODEL NO.	:	BIMCO – 61MBS
Paddle Size	:	Suitable for Paddle Pipe Diameter from 1” to 6”
Paddle/ Blade	:	SS304
Connection	:	1” NPT of SS304
All wetted Parts	:	SS304
Flow set Point	:	Prefixed or Field Adjustable
Switch Type (Output)	:	SPDT (1 NO + 1NC), micro switch (5A or 15A)
Max. Working Pressure	:	10.34 Bar
Liquid Temp	:	0 – 120 °C
Supply	:	Max AC250V, 10A
Protection Grade	:	Ip53
Mounting	:	Universal
Make	:	BIMCO

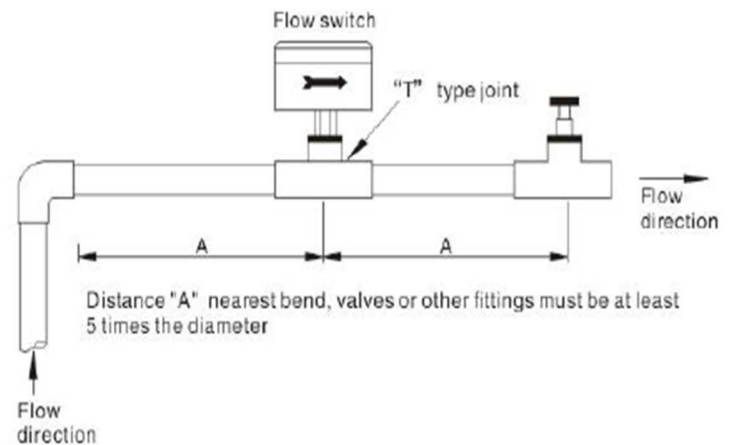
Accessories :-

- 1) Paddle Qty-4Nos.
- 2) Operating manual

Contacting



Typical installation diagram



Manufactured & Marketed By :

M/S. Bombay Instrument Mfg. Co.

SHOP NO. 5 , 50/86, JITEKAR WADI

OPP. VINAY HOTEL 88, THAKURDWAR ROAD MUMBAI – 400 002 - INDIA

Tel. : 91 (022) 2389 1073 / 2389 10 7 5

Fax : 91 (022) 2389 1075

Web. : www.bombayinstrument.in

Email : bimco@mtnl.net.in , bimcoindia@gmail.com