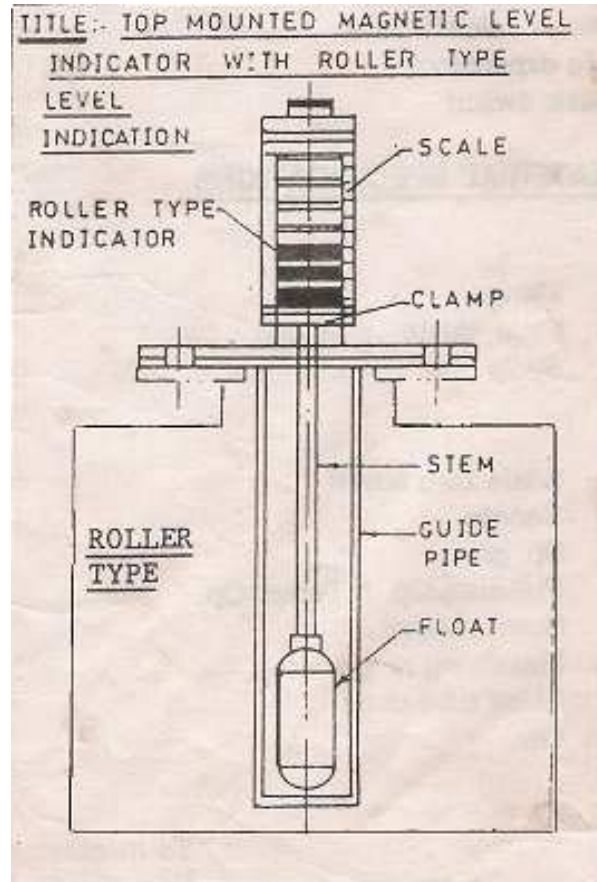


TOP – MOUNTED MAGNETIC LEVEL INDICATOR

MAGNETIC LEVEL GAUGE : BI-COLOUR ROLLER INDICATOR

This type of level gauge have Individual Indicator (roller) of every level

RED ROLLER : INDICATE LEVEL OF LIQUID IN THE TANK
WHITE ROLLER : INDICATE EMPTY LEVEL OF TANK



Our Model No.	:	09 - RI
Type	:	Magnetic
Mounting	:	Top
Top Chamber	:	SS.304/316/PP etc Pipe flared and flanged at Top end and having flanged cover at bottom end
Guide Pipe	:	A perforated G.I/SS.304/316/PP etc. Pipe
Flange	:	4" /6"NB, ASA 150 C.S./any MOC Flange
Test Pressure	:	5 Kg/CM-2 / high Pressure as per requiest
Float	:	SS.316./any moc float with SS.304 stem and cartridge made out of SS./anymoc having Powerful permanent magnet inside it.
All wetted Parts	:	SS.304/316/PP /GI./Any MOC
By-pass Pipe	:	SS.304/316/PP /GI./Any MOC
OP.Temp.	:	AMB. / Pl. confirm
OP. Pressure	:	AMB. /Pl. confirm
Scale	:	Black Anodised Aluminium scale marked in CMS. Least count 5 mm
Indication	:	BI-COLOUR Magnetic PP. Roller will be in Powder coated Al. housing with transparent acrylic Front.
Protection	:	Al. powder Coated housing with Roller
Liquid	:	Water / Pl. mention if other liquid.
Tank Depth	:	Pl. mention
Nozzle length	:	Pl. mention
Liquid Indicator	:	Pl. mention.

MFG. , EXPORTER & MARKETING BY :

"BOMBAY INSTRUMENT MFG. CO." (WORLD CLASS LEVEL INDICATORS)

Website : www.bombayinstrument.in

E-mail : bimco@mtnl.net.in & bimcoindia@gmail.com

Tel. : +91-22-23891073 / 23891075 Fax : +91-22-23891075