

BIMCO FLOW SWITCHES CE APPROVED**MODEL NO: 14-BPMT****CONNECTION: ½" BSP****MODEL NO: 14-BPMT****Application**

The switch can be widely used in water heater, chillers and other circulating water system. The switch with high performance, it equipped with permanent magnet. Just has one removable part. The Operating principle is easy.

Features

- No wearing and fatiguing parts applied, featuring stable performance and long service time.
- Full nylon structure, various liquid corrosion resistances.
- It could be installed vertically;
- Max pressure is 10BAR;

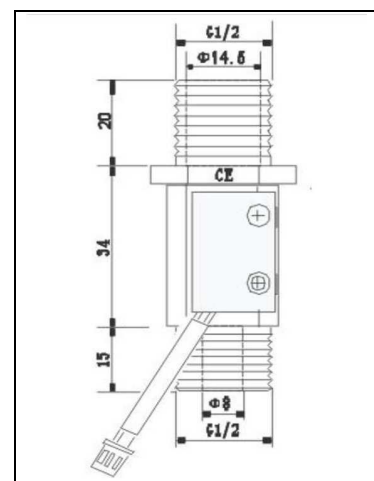
USES

Flow switch is mainly used in the system to instruct switch on/off according to flow rate.

To set a constant and lowest flow point in the flow switch, when the flow rate runs to the set value, switch on and the system will work, once the flow rate is less than the set value, switch off.

Specification**Electrical Characteristics**

Material	: NYLON
Ring Material	: NYLON
Tempe Rating	: -30 ⁰ C to +85 ⁰ C
Max Pressure	: 10 BAR
Max flow range	: 30 L/Min.
Max Contact Rating	: 10/ 70W
Max Switching Voltage	: DC:12/24V AC:140V
Max Switching Current	: 0.5 A
Max contact Resistance	: 200 mOhm
Electrical Life (at Resistance load)	: 1.5x10 ⁷ (20/500) VDC/mA
Cable Type	: UL1007-AWG24
Cable Length	: 254 mm
Cable Color	: Blue
Flow cut of range	: 0.8 Lpm

**Note:**

1. It is a magnetic and sensitive switch, so there must be no scrap iron in the flux.
2. It is vertically mounted and direction of water flow is upward as photo shown.

MODEL NO: 14-BPMT

CONNECTION: ¼" BSP



Application

The switch can be widely used in water heater, chillers and other circulating water system. The switch with high performance, it equipped with permanent magnet. Just has one removable part. The Operating principle is easy.

MODEL NO: 14-BPMT

Features

- No wearing and fatiguing parts applied, featuring stable performance and long service time.
- Full nylon structure, various liquid corrosion resistances.
- It could be installed vertically;
- Max pressure is 10BAR;

USES

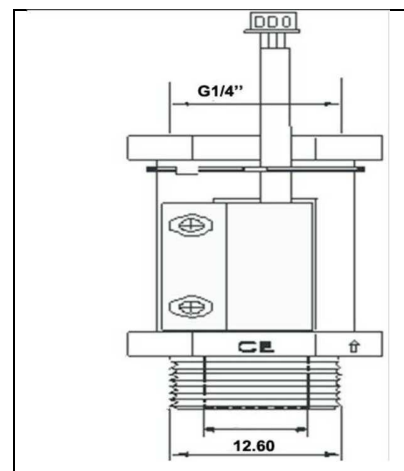
Flow switch is mainly used in the system to instruct switch on/off according to flow rate.

To set a constant and lowest flow point in the flow switch, when the flow rate runs to the set value, switch on and the system will work, once the flow rate is less than the set value, switch off.

Specification

Electrical Characteristics

Material	:	NYLON
Ring Material	:	NYLON
Tempe Rating	:	-30°C to +85 °C
Max Pressure	:	10BAR
Max flow range	:	0 L/Min.
Max Contact Rating	:	70 W
Max Switching	:	≤230 Voltage Max
Switching Current	:	0.5A
Max contact Resistance	:	200mOhm
Electrical Life (at Resistance load)	:	1.5x10 ⁷ (20/500) VDC/Ma
Cable Type	:	UL1007-AWG24
Cable Length	:	254mm
Cable Color	:	Blue
Flow cut of range	:	0.8 Lpm



Note:

1. It is a magnetic and sensitive switch, so there must be no scrap iron in the flux.
2. It is vertically mounted and direction of water flow is upward as photo shown.

MODEL NO: 14-BPMT

CONNECTION: 1" BSP



MODEL NO: 14-BPMT

Application:

The switch can be widely used in petrochemical industry, water treatment for environmental protection (Chiller, Heat pump water heater), welding equipment, laser equipment and some other systems for monitoring. The switch with high performance, it is equipped with a permanent magnet. It has one removable part. The operating principle is easy.

Features

- No wearing and fatiguing parts applied, featuring stable performance and long service time.
- Full nylon structure, various liquid corrosion resistances.
- It could be installed vertically;
- SSMax pressure is 10Mpa;

USES

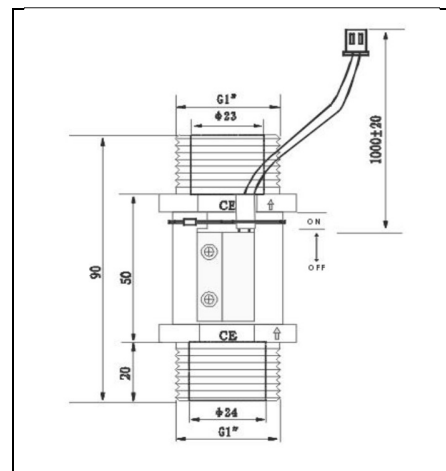
Flow switch is mainly used in the system to instruct switch on/off according to flow rate.

To set a constant and lowest flow point in the flow switch, when the flow rate runs to the set value, switch on and the system will work, once the flow rate is less than the set value, switch off.

Specification

Electrical Characteristics

Material	:	NYLON
Ring Material	:	NYLON
Tempe Rating	:	-30 ⁰ C to +85 ⁰ C
Max Pressure	:	10BAR
Max flow range	:	60L/Min.
Max Contact Rating	:	70W
Max Switching Voltage	:	≤230 VDC
Max Switching Current	:	0.5 A
Max contact Resistance	:	200 mOhm
Electrical Life (at Resistance load)	:	1.5x10 ⁷ (20/500)VDC/Ma
Cable Type	:	UL1007-AWG22
Cable Length	:	254 mm
Cable Color	:	Blue
Flow cut of range	:	5.5Lpm



Note:

1. It is a magnetic and sensitive switch, so there must be no scrap iron in the flux.
2. It is vertically mounted and direction of water flow is upward as photo shown.

Manufactured & Marketed By :

M/S. Bombay Instrument Mfg. Co.

SHOP NO. 5, 50/86, JITEKAR WADI

OPP. VINAY HOTEL 88, THAKURDWAR ROAD MUMBAI – 400 002 - INDIA

Tel. : 91 (022) 2389 1073 / 2389 10 7 5

Fax : 91 (022) 2389 1075

Web. : www.bombayinstrument.in

Email : bimco@mtnl.net.in, bimcoindia@gmail.com